

# Planters



Cast

Steel

Timber / cast

## CAST PLANTERS

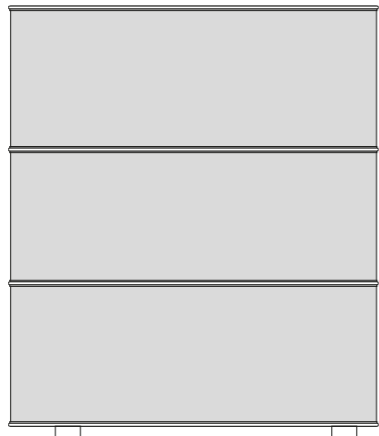
Planters come in many shapes and sizes and are evident in most towns and cities across the country. Their use brightens the most austere of environments, and creates a happier feel amongst many shoppers.

CIS Street Furniture offers both cast, composite and steel planters in a range of styles and sizes.

Cast planter type 801 offers a very deep planting base suitable for more mature plants or even some small types of tree. There is good provision within the base for drainage.

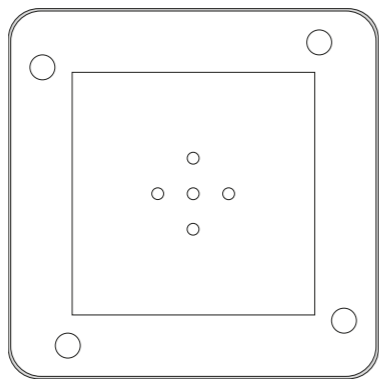
Feet are also added underneath the planter for easy movement on site (via the use of forklift trucks). This allows planters to be moved around thus a changing street scene can be created.

Liners provided as standard with this design are simple damp proof membranes but others are available which include mesh, plastic and galvanised steel.



800mm high  
excluding feet

801



700mm sq



# Planters

# Planters

## CAST PLANTERS

Type 808 planter offers a much shallower planting depth and is wider at the base. This would not be suitable for planting small trees. However it would function superbly with a combination of shrubs, mature plants and bedding plants.

Cast planters are ideal for customisation and are easily adapted with the additions of crests and logos. Colour can also be personalised with the raised bands being picked out in a contrasting style.

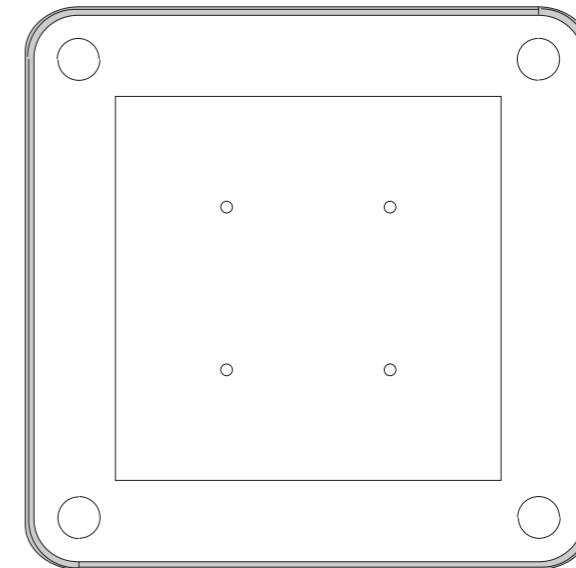
Given the longevity of cast iron, with simple maintenance these cast planters should be capable of giving people pleasure for many years.

500mm high  
excluding feet



808

1000mm sq



## TIMBER / CAST PLANTERS

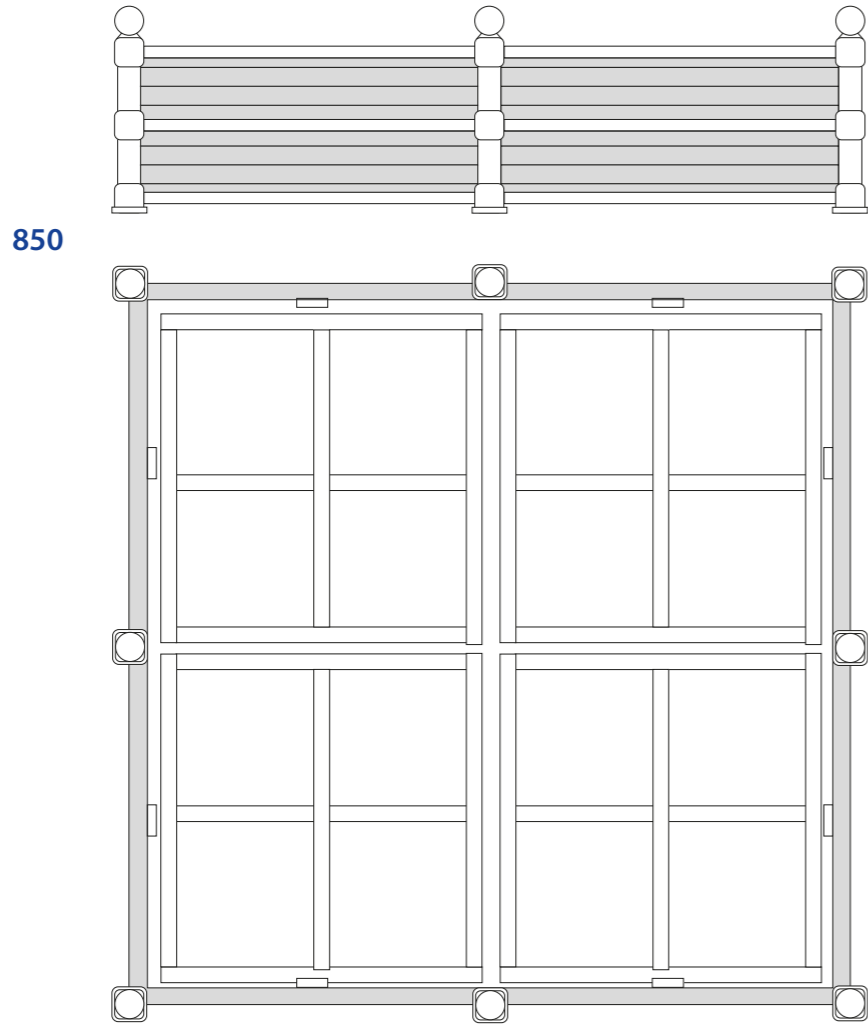
The 850 type planter is the most versatile within the range. Its modular construction gives many varying sizes, based around the size of 1.2 metres.

Its' composite construction combines cast, steel and timber elements, giving the benefit of robustness with style. By picking out certain features in contrasting colours striking combinations can become available.

Planters available above 1.2m square are supplied to site in modules. A simple on site bolting arrangement secures sections together prior to filling with planting medium.

Each planter supplied has a separate 1.2m square GRP liner which is placed in position after site assembly.

In line with our policy of client liaison during the design process, feet have been provided at the base. This gives access to forklift trucks to facilitate easy movement around the site.



850



# Planters

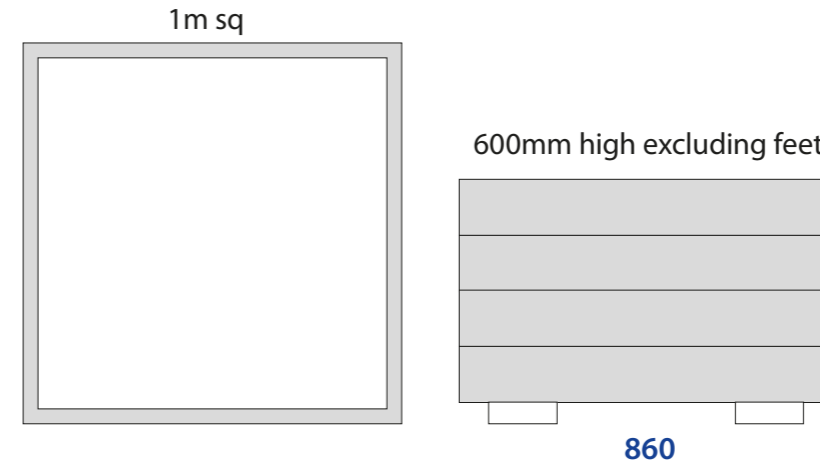
# Planters

## TIMBER PLANTERS

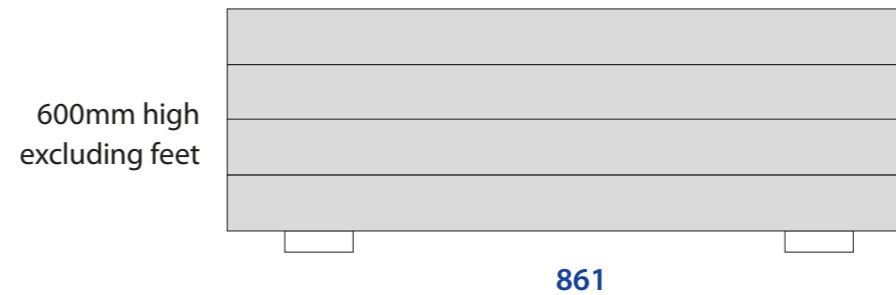
These timber planters can be made from either quality hard or soft woods and are available in a variety of sizes. All timber is cut from managed forests.

Choices of timber are: tropical hardwood, European or English hardwood. Softwoods available are Canadian, European or English. All can be finished in a range of wood stains giving a variety of differing appearances.

All softwood is pressure treated prior to staining giving a 40 year life guarantee. Lining material is a damp proof membrane. Feet are provided at the base of the planter for easy movement around your site via forklift trucks.



860



861



1.8m sq

## TIMBER / CAST PLANTERS

Design type 852 utilises shapes taken from our best-selling 106 type bollard. This can be used to complement other Street Furniture within a scheme.

Any bollard from our standard range can be adapted for this application.

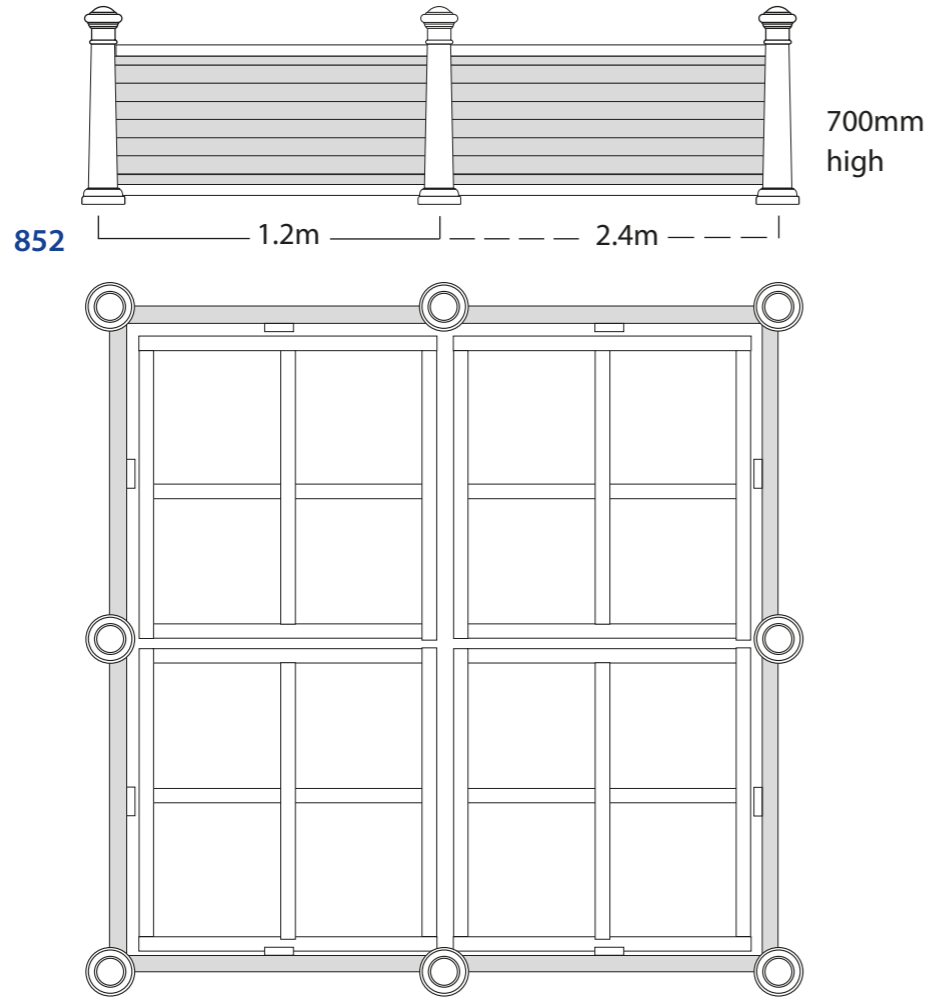
For assistance with your choice please contact our sales office.

This design shares all the attributes of our type 850 planter and includes GRP liners.

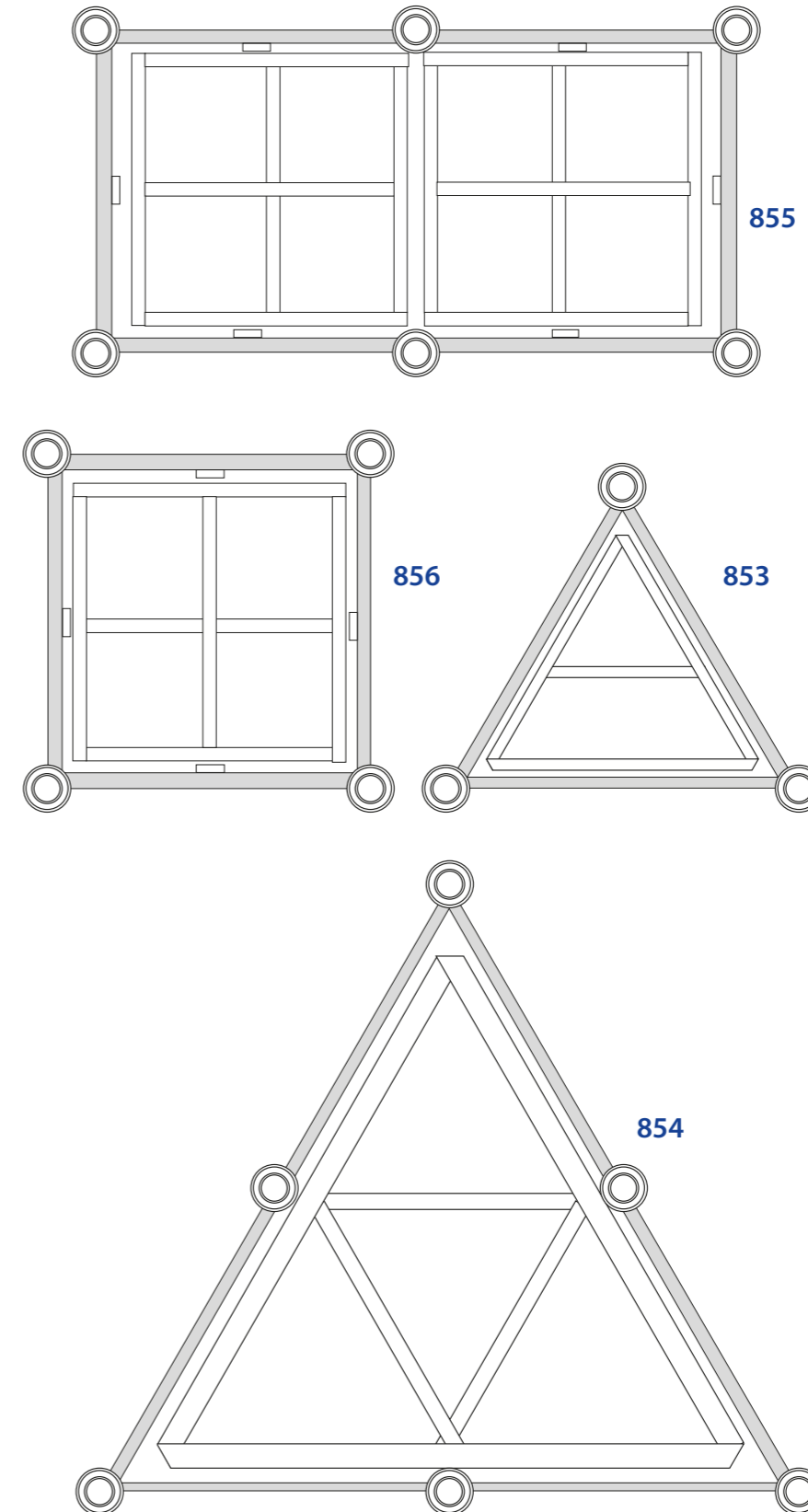
Alternative lining materials include mesh liners, plastic or damp proof membranes.



# Planters



# Planters



## TIMBER / CAST PLANTERS

Designers can use all of the 850 series of planters to give originality to a project. Many differing configurations are available.

A small selection is shown opposite.

Have you considered an 'L' shape arrangement? Or how about using them as traffic management within a traffic calming scheme?

Our triangular planter type 853 and 854 would make an excellent traffic management aid. Their sheer weight would make them immovable without lifting equipment. Give way or keep left signs can be attached and reflective tape/paint can be added for extra night-time visual awareness.

For guidance on how to use these products within your project give our sales office a call.



**CIS Street Furniture Ltd**  
Home Farm  
Shere Road  
Albury  
Guildford  
GU5 9BL

**T: 01483 203388**  
**F: 01483 229088**

**E: [sales@cis-streetfurniture.co.uk](mailto:sales@cis-streetfurniture.co.uk)**

**[www.cis-streetfurniture.co.uk](http://www.cis-streetfurniture.co.uk)**

**8.8**

#### **Fixings**

All fixing details and foundations are purely advisory. Ground and service conditions may vary locally. We advise you to consult a structural engineer if in any doubt.

In line with our policy of continual improvement, we reserve the right to change, without prior notice, any of the data contained in this publication. The information given is believed to be correct at the time of printing.

CIS Street Furniture is a trading name of The Cast Iron Company Limited. All rights reserved. Neither whole nor part of this publication may be copied without the written permission of the publishers. The designs are the property of The Cast Iron Company Limited and may not be reproduced without express permission.

© Copyright 2011