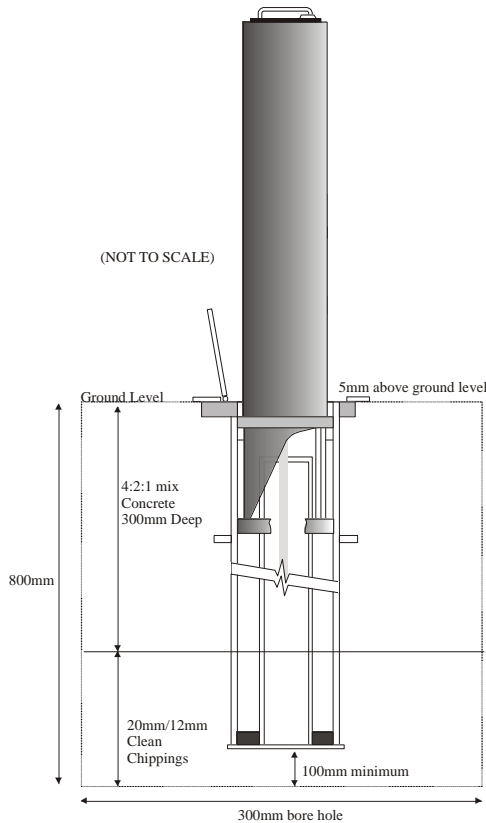


INSTALLATION INSTRUCTIONS

RETRACTABLE BOLLARDS



Determine position of installation. Recommended distance between centres: 1250mm, maximum 1400mm.

Break surface 300mm square and bore hole 150mm deeper than Bollard to be installed.

Fill hole with approx. 150mm of 20mm clean chippings. DO NOT USE PEA GRAVEL.

WARNING: DO NOT PUT CONCRETE AROUND BASE OF BOLLARD.

Lower post onto chippings and check height. Lid surround of post should be a minimum of 5mm but up to 25mm above ground level dependant on ground conditions.

Add or remove aggregate until desired height is obtained.

Position post central in bore hole and add more chippings until post stands unaided.

Withdraw sliding post and manoeuvre into vertical position using a spirit level.

Add more chippings and Tamp down every 150mm until approximately 400mm from surface.

Fill remainder of hole with 4:2:1 concrete mix and Trowel off neatly to lid surround, leaving slight fall away. Wipe clean lid surround with damp cloth.

Finally check again using a spirit level and retract post gently into ground and lock.

Leave for 24 hours before operating.

Keep upper post clean during Installation procedure.

ALWAYS Lower Bollard in controlled manner. DO NOT DROP

Groundworks variable depending on site conditions.

Maintenance

Keep Sliding Post clean. Flush out and lubricate lock with WD40 or similar weekly. Always close lock cover plate. Always close lid when Bollard has been lowered.

WARNING

FAILURE TO COMPLY WITH THESE INSTRUCTIONS MAY CAUSE MALFUNCTION OF THE POST AND INVALIDATION OF YOUR WARRANTY. PLEASE ADHERE TO THEM.