

Product Information



www.cis-streetfurniture.co.uk

CIS Type 193 Pavement Protection Bollard

Drawing No.
DS-193

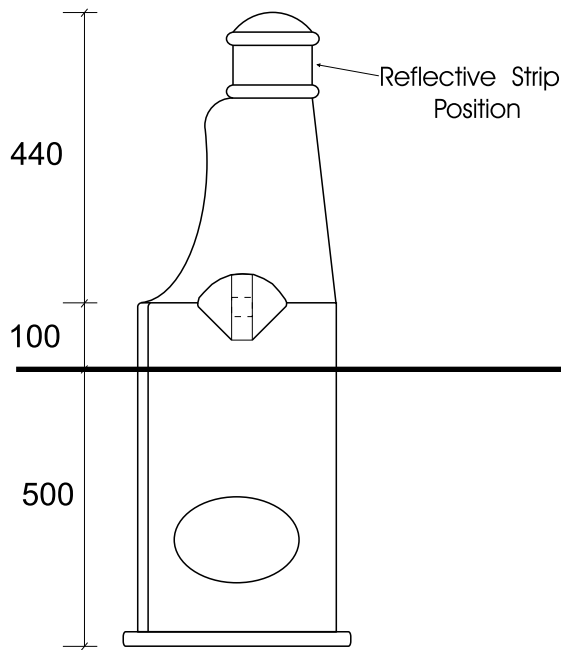
Drawn
NAK

Date
01.10.93

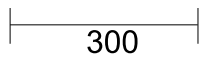
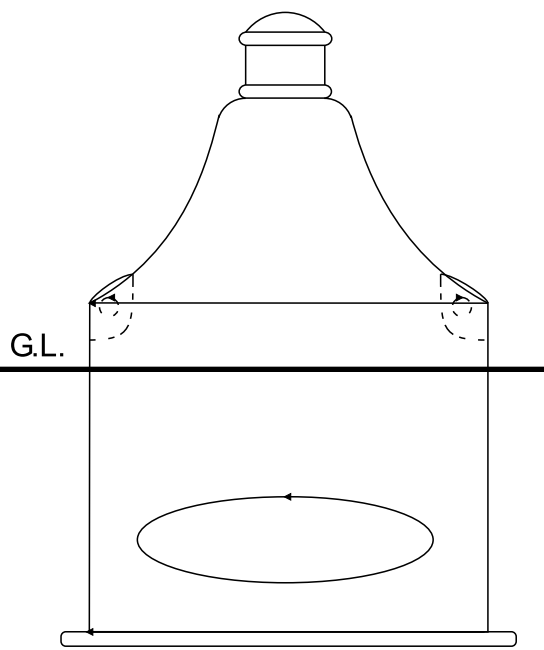
Scale
NTS

Checked

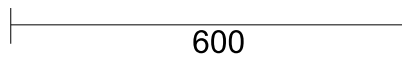
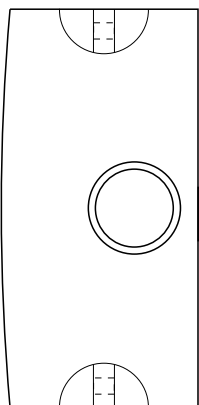
Side Elevation



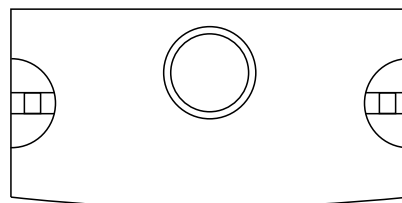
Front / Rear Elevation



Plan



Plan



Crest
Position



www.castiron.co.uk

The Cast Iron Co. Ltd.
incorporating:
CIS Street Furniture
Home Farm
Shere Road
Albury
Guildford
GU5 9BL

Tel: 01483 203 388

Details

Revised 29/6/04 Flange added to base (NAK)



The Cast Iron Company Ltd.
incorporating:
CIS Street Furniture.

If in doubt ASK